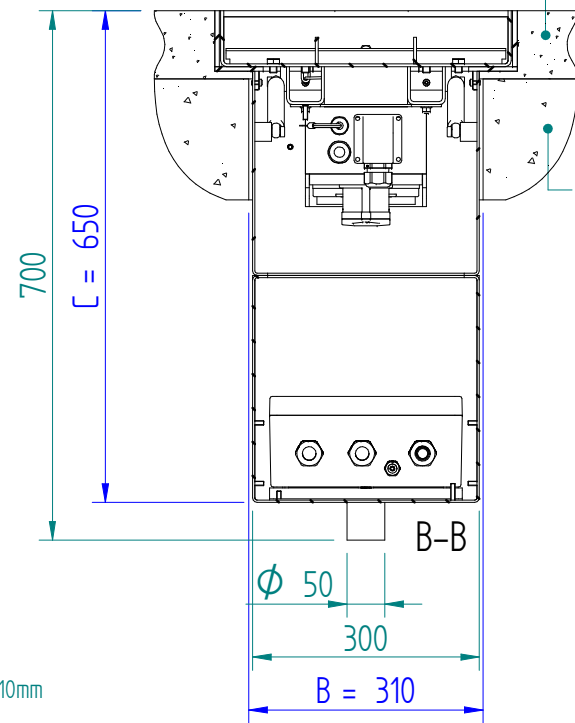
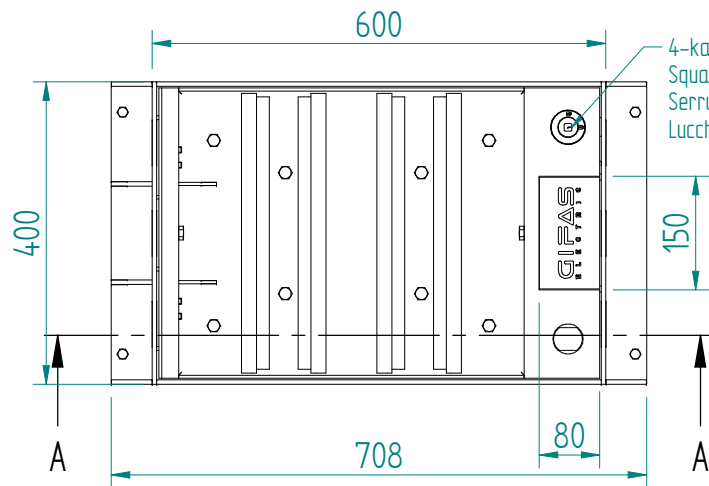


4x M8x60 Nivellierschraube / Levelling screws  
Vis pour niveler / Vite per livellare

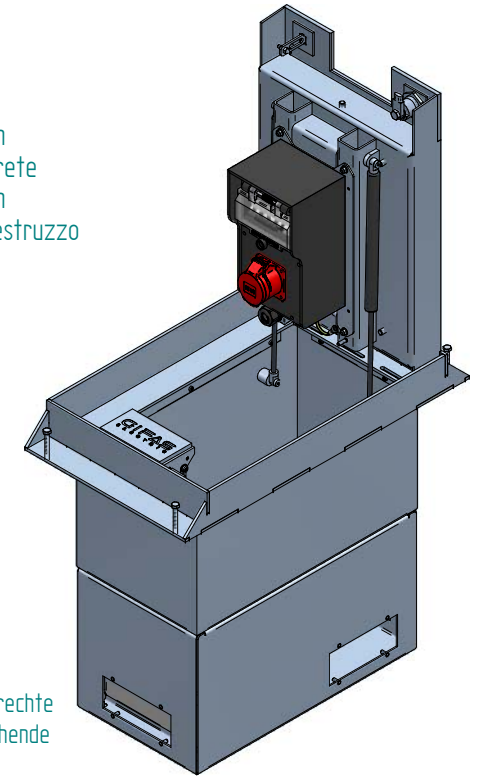
Deckbelag  
Covering  
Chape  
Pavimentazione



Beton  
Concrete  
Béton  
Calcestruzzo



4-kant Schloss 10mm  
Square lock  
Serrure 4 pans  
Lucchetto quadrato



Für einen entsprechenden normgerechten Unterbau, die fachgerechte Montage der Bodendose (max. Belastung 250kN) sowie entsprechende Drainagierung hat der Kunde zu sorgen.

Customer has to take care of professional foundation and mounting of underfloor distributor systems (max load capacity 250kN) as well as professional connection to drainage system.

Fondation correspondante aux normes selon la charge admise (max. 250kN) et drainage nécessaire à faire par le client.

Per una corrispondente sottostruttura a norma, la corretta installazione del pozzetto (carico max. 250kN) come anche un drenaggio adeguato è a favore del cliente.

251381 KSV 7200 BG Campetto S  
230145 Poly 2525 BG Anschlussdose

A x B x C Aussparungsmasse  
Dim. of Recess  
Dim. maçonnerie  
Dimensioni d'incasso



GIFAS-ELECTRIC GmbH  
Dietrichstrasse 2 - CH-9424 Rheineck  
+41 71 886 44 44 info@gifas.ch  
+41 71 886 44 44 www.gifas.ch

Unterflurelektrant  
Campetto S C250 KSV 7200

Art.-Nr. : 251982

29.01.2024

Blatt 1/1  
beku